

LOPO  
LIGHT



# NEWS

## FB LIGHTS



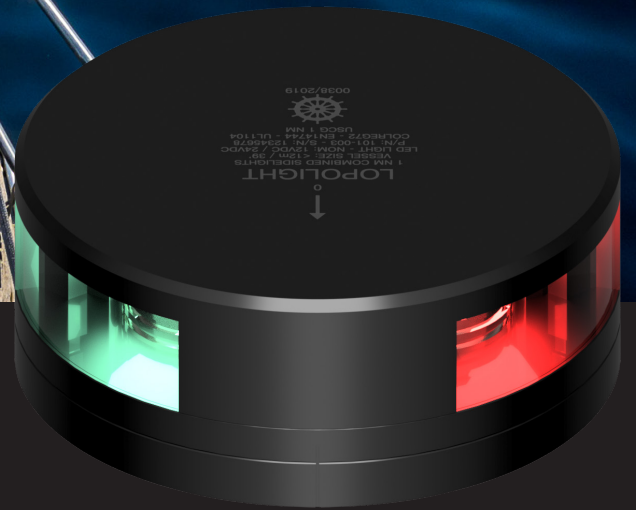
## FB LIGHTS WITH NEW MOUNTING SYSTEM

The new FB system replaces the standard 20 mm black K-lock base.

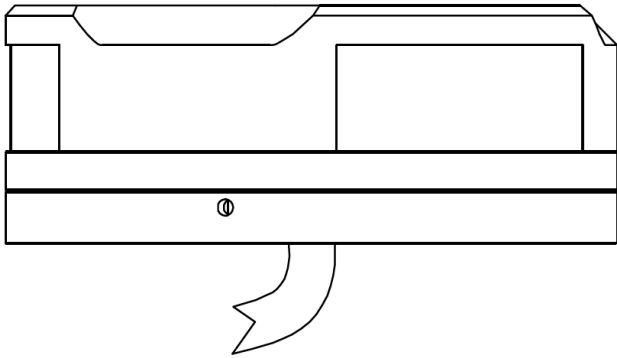
Like the outgoing base, the FB system uses a twist lock mechanism to lock to light in place on a low POM base, the power cable is placed in the center to avoid undue stress on the cable when mounting.

As an alternative to the FB, you can achieve the ultimate low profile mounting as the light can now be mounted direct on the surface with the screws mounted from underneath.

Please note that the FB lights are NOT compatible with the K-lock mounting system.

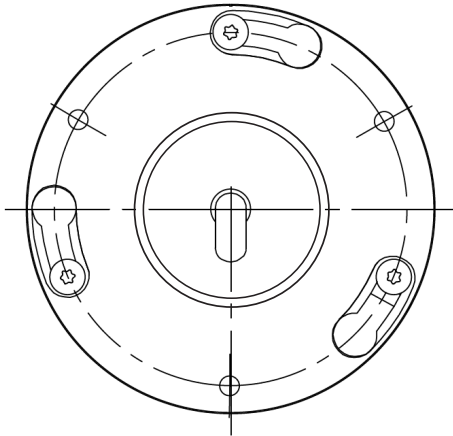


# IMPROVEMENTS



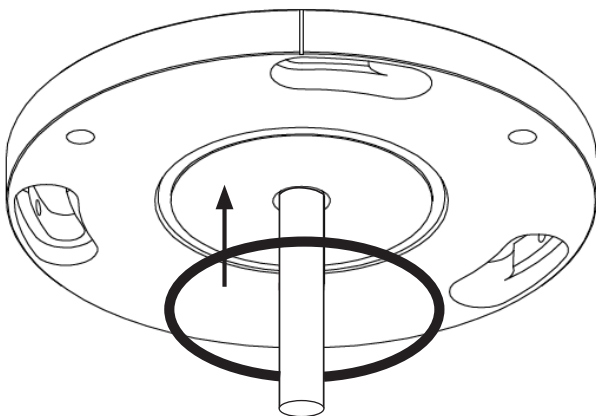
## LOW PROFILE

The FB system allows for a lower mounting, the FB mounting is 10 mm lower than the outgoing. You can even mount the light with screws from underneath and save another 8mm.



## BETTER CABLE MANAGEMENT

With the cable firmly mounted in the center we prevent cable management issues seen in the previous version.

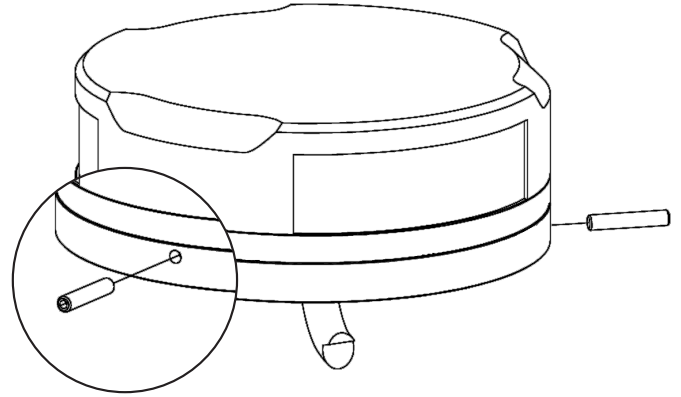


## WATERPROOF INSTALLATION

The outgoing black K-lock plastic base was never intended to be waterproof – the new FB system employs O-rings in the base to ensure that the cable remains dry.

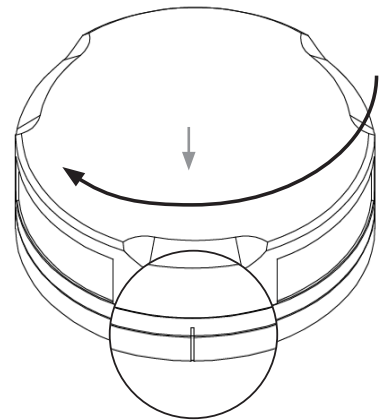
## LOCKING MECHANISM

There are 2 locking screw positions, only one lock screw is needed, this allows for installation in locations where only one side of the light is accessible (typically for a sidelight installation).



## THE FINAL CHECK

That the notch on the light aligns with the notch on the base, so the alignment off the arrow on the light point to the bow and is parallel to centerline (if applicable)?



## ADAPTOR

In case you want to use an FB on a K-lock base we offer a black POM adaptor, P/N 400-407

